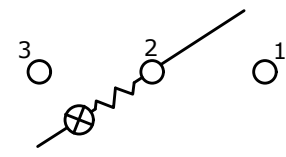
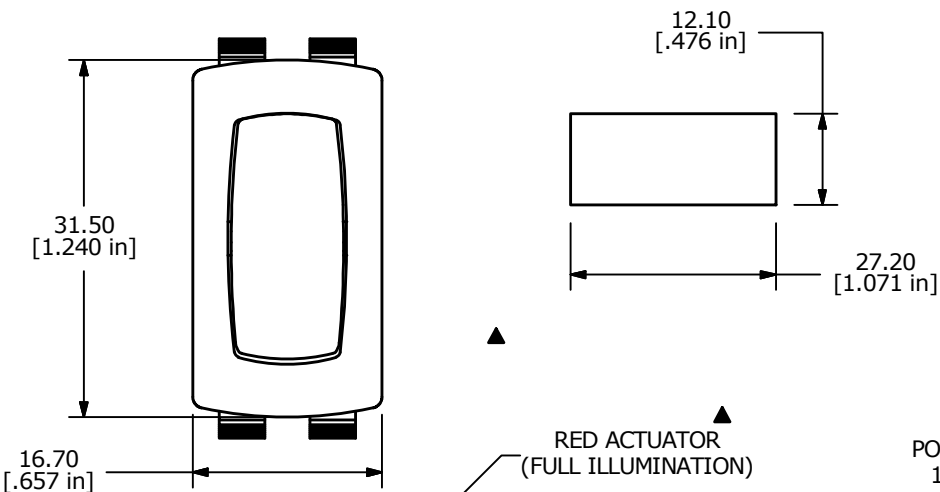
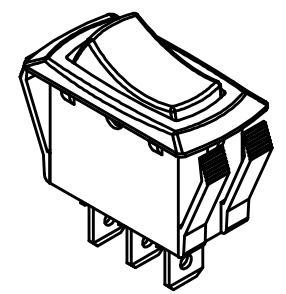


SUGGESTED PANEL CUTOUT



CIRCUIT: SPST
OFF - ON

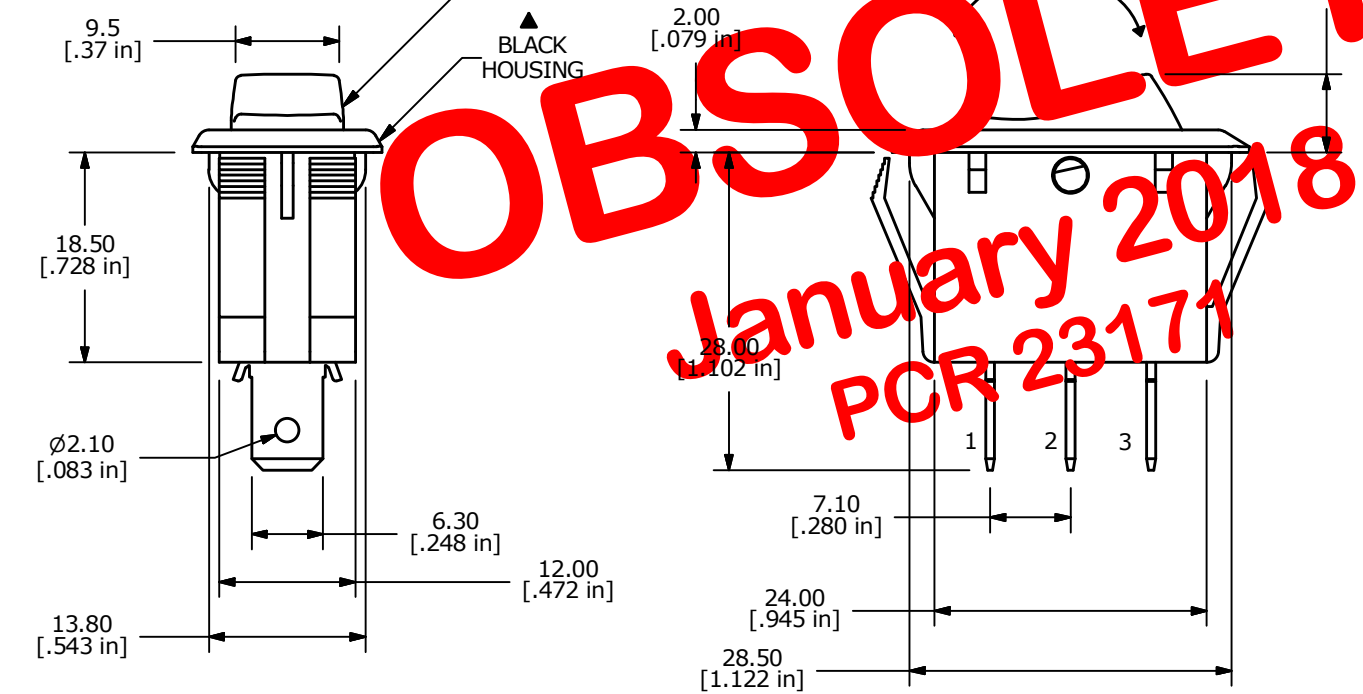


ISOMETRIC

OBSOLETE

January 2018

PCR 23171



- NOTES:
1. ALL DIMENSIONS IN MM [INCH]
 2. GENERAL TOLERANCE: X.X=±0.4
X.XX=±0.25
 3. TERM. NOS. FOR REF. ONLY
 4. RATING: 20A 125VAC; [UL, CSA]
16A 250 VAC [UL, CSA]
 - ▲ 5. MATERIAL:
CONTACT SURFACE: SILVER PLATED COPPER
TERMINAL: BRASS ALLOY w/SILVER PLATE
 6. ELECTRICAL LIFE: 10,000 CYCLES MIN.
 7. CONTACT RESISTANCE: 20 Milli-OHMS MAX.
 8. OPERATING TEMP: -20°C TO 65°C [UL, CSA]
-20°C TO 105°C [UL, CSA]
-20°C TO 125°C [European]
 9. DIELECTRIC STRENGTH: >1,000V AC 1MIN
 10. LAMP VOLTAGE: 125 V BULB
 11. ▲ DENOTES CRITICAL PARAMETER.
 12. 2002/95/EC (ROHS) COMPLIANT.
 13. LENS COLOR, RED



B	20530	Changed to a D rating	3/13/2012	MM
A	20520	Release For Production	3/8/2012	MM
REV	PCR NO	DESCRIPTION	DATE	BY

TITLE RSC241C1000116				
SCALE	DATE	DR	DWG	REV
1.5	3/8/2012	BLR	14-RSC241C1000116	B

THE INFORMATION CONTAINED IN THIS DOCUMENT IS PROPRIETARY TO E-SWITCH AND IS NOT TO BE COPIED OR TRANSFERRED